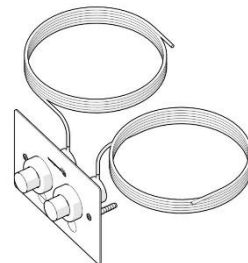


# SS Vandal Resistant D/F Plate Assembly for Pneumatic Inwall Cistern w/ CP BS Raised Buttons



## PRODUCT CODES

- 656512

## SPECIFICATIONS

- Face plate assembly features pneumatic dual flush push activation buttons for CIST19-PNEU-2 Slim-Line Inwall Cistern.
- 2mm thick, Vandal resistant stainless steel faceplate.

## TECHNICAL DATA

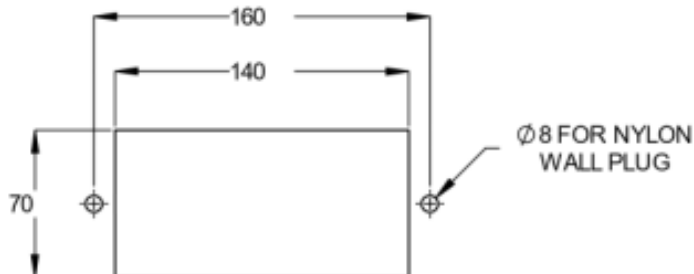
Activation	Push Button
Connections	Pneumatic
Hose Length	3 metres
Finish	Polished

**NOTE:** Galvin Engineering continually strive to improve their products. Specifications may change without notice.

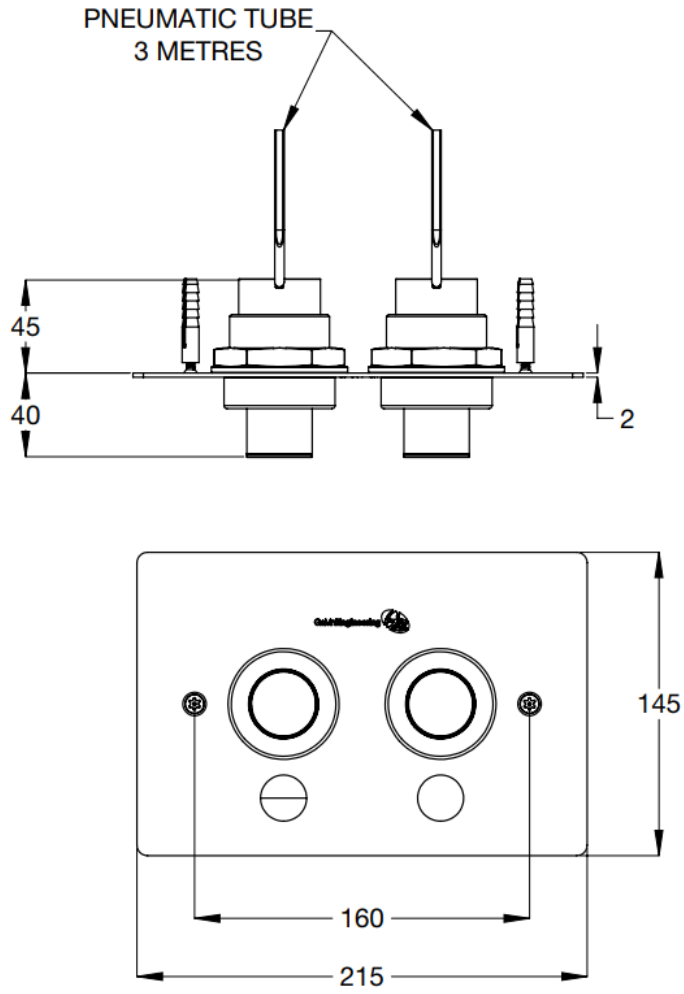
## MOUNTING DETAILS

If a cut out is required, refer to the face plate position and cut out details below.

- The push button can be positioned as preferred but consideration should be given to ensure it is easily accessible for children and adults.
- A 70mm x 140mm x 80mm cut out is required in the wall to fit the two push buttons. Drill two holes 160 mm from centres as shown for two nylon wall plugs 8 X 40 (NWP8).



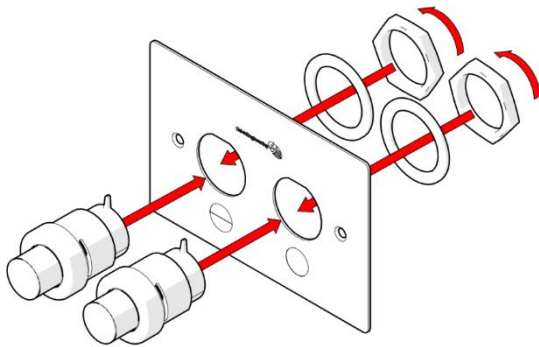
**DIMENSIONS**



**INSTALLATION**

**INSTALLATION COMPLIANCE:** Galvin Engineering products must be installed in accordance with these installation instructions and in accordance with your local regulatory requirements. Water and/or electrical supply conditions must also comply to the applicable national and/or state standards. Failing to comply with these provisions shall void the product warranty and may affect the performance of the product.

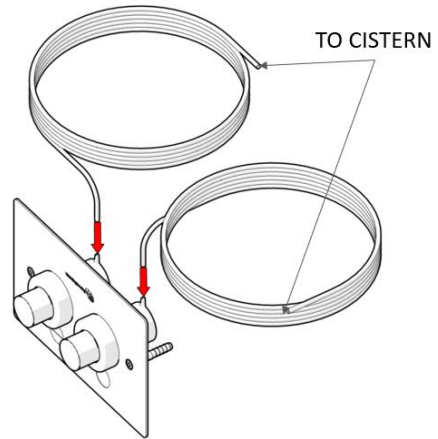
1.



**Assemble the push buttons and faceplate.**

- Insert the pneumatic push buttons into the faceplate and fasten together using hex nuts.
- Ensure the rubber washers are placed in between the faceplate and the hex nuts.

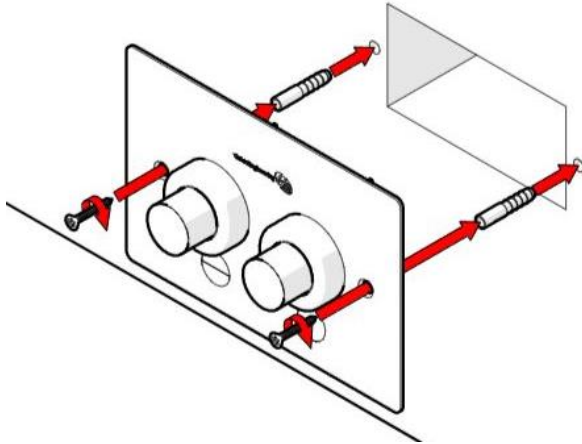
2.



**Connect the pneumatic tubes to the push buttons.**

- Connect one end of the air tube to the push button and the other end to the cistern.
- Ensure the tube is connected to the correct button (half or full flush).
- Check if the connections are tight and secure.
- Check if both buttons are operational and check the air tubes for leaks

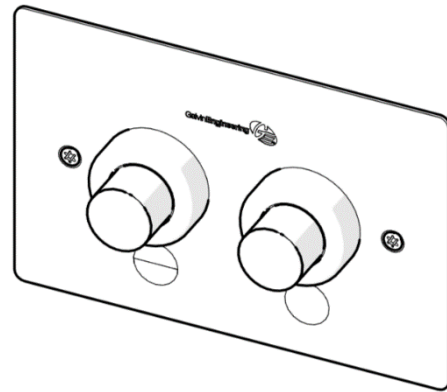
3.



**Mount the faceplate.**

- Install nylon wall plugs as shown.
- Apply a thin bead of silicon on the edge of cut out
- Mount the faceplate to the wall using the two countersunk torx screws.
- Ensure the screws are securely tightened and the faceplate is mounted flush to the wall.

4.



**Check for correct operation.**

**TROUBLESHOOTING**

PROBLEM	CAUSE	RECTIFICATION
Cistern does not flush	No air supplied from air pump	Check air tube for leaks Replace air pump if damaged
	Faulty Push Button	Replace damaged push button
	Incorrect connections	Check all connections

**NON-SERVICEABLE PRODUCTS INFORMATION**

**Push Button, Air Pump, Face Plate**

These items are non-serviceable products. If damaged, they must be replaced.  
If there appears to be any problems with these items, please contact Galvin Engineering.

**Note: Before attempting to replace any of these items check that you have access to re-run the connection leads. If you do not have access or you have any doubts, please contact Galvin Engineering for advice before commencing replacement.**

**WARRANTY**

The warranty set forth herein is given expressly and is the only warranty given by the Galvin Engineering Pty Ltd. With respect to the product, Galvin Engineering Pty Ltd makes no other warranties, express or implied. Galvin Engineering Pty. Ltd. hereby specifically disclaims all other warranties, express or implied, including but not limited to the implied warranties of merchantability and fitness for a particular purpose.

Galvin Engineering Pty Ltd products are covered under our manufacturer’s warranty available for download from [www.galvinengineering.com.au](http://www.galvinengineering.com.au) Galvin Engineering Pty Ltd expressly warrants that the product is free from operational defects in workmanship and materials for the warranty period as shown on the schedule in the manufacturer’s warranty. During the warranty period, Galvin Engineering will replace or repair any defective products manufactured by Galvin Engineering without charge, so long as the terms of the Manufacturer’s warranty are complied with.

The remedy described in the first paragraph of this warranty shall constitute the sole and exclusive remedy for breach of warranty, and Galvin Engineering Pty Ltd shall not be responsible for any incidental, special or consequential damages, including without limitation, lost profits or the cost of repairing or replacing other property which is damaged if this product does not work properly, other costs resulting from labour charges, delays, vandalism, negligence, fouling caused by foreign material, damage from adverse water conditions, chemical, electrical or any other circumstances over which Galvin Engineering has no control. This warranty shall be invalidated by any abuse, misuse, misapplication, improper installation or improper maintenance or alteration of the product.